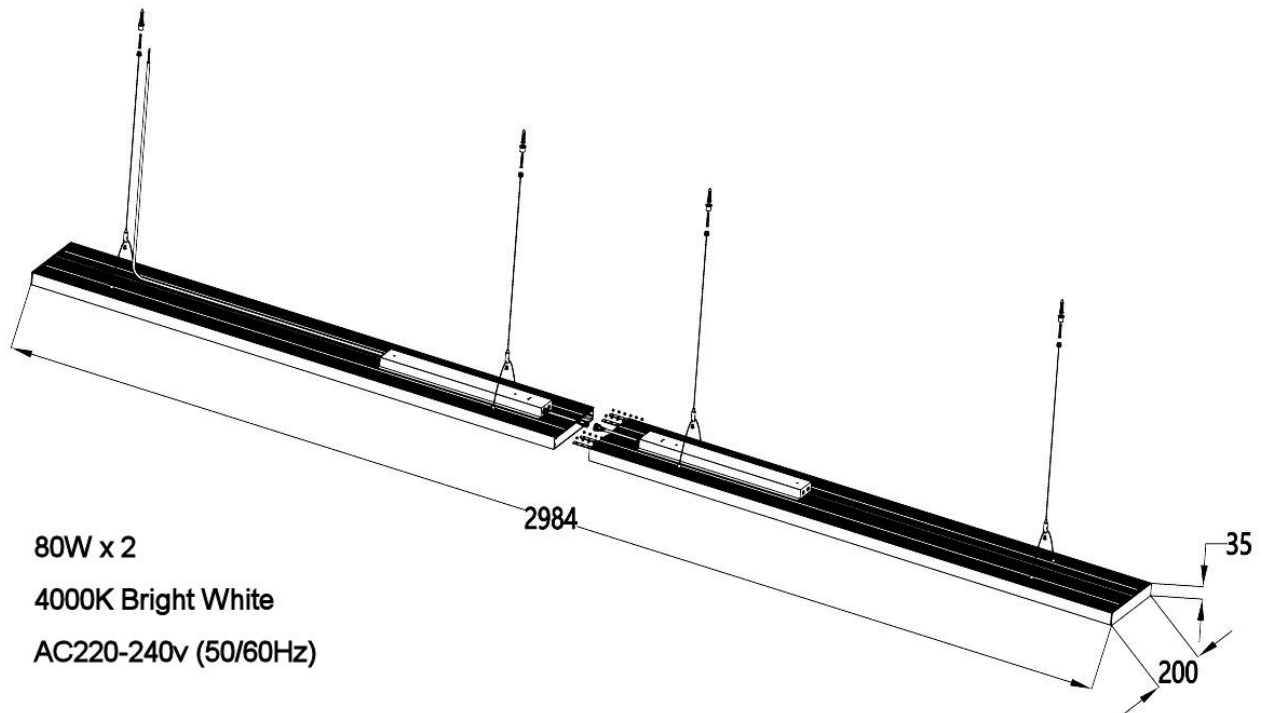


S5802 LED SNOOKER LUMINAIRE



Warning

This LED snooker luminaire **should only be installed by a qualified electrician in accordance with local Building Regulations**. Please read all these instructions thoroughly before installation.

Switch off the mains power supply and remove the appropriate fuse or appropriate circuit breaker before commencing installation or servicing. Check that the circuit is not live using a voltage tester. Ensure that no one else has any access that would enable the power supply to be inadvertently reconnected.

This light unit is suitable for indoor use only and should be installed in dry environments away from water in rooms with normal temperature ranges. It should be installed away from readily flammable materials.

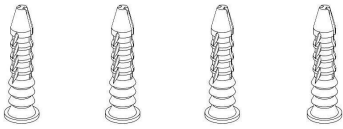
The LED lighting in this unit is integrated and manufactured within the lamp, there is no need to replace bulbs as the actual light cannot be removed and replaced. LED units are longer lasting and more cost effective and energy efficient.

When cleaning ensure that the mains power supply is turned off, clean with a soft, dry cloth without putting any downward pressure on the light unit.

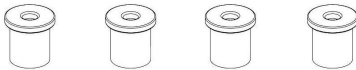
CONTENTS

2 x LED luminaire units plus...

(A) Raw Plugs x4



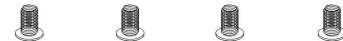
(B) Ceiling Fittings x4



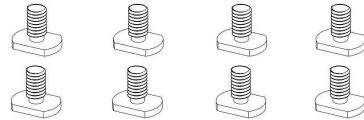
(C) Screws x 4



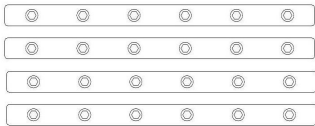
(D) Screws x 4



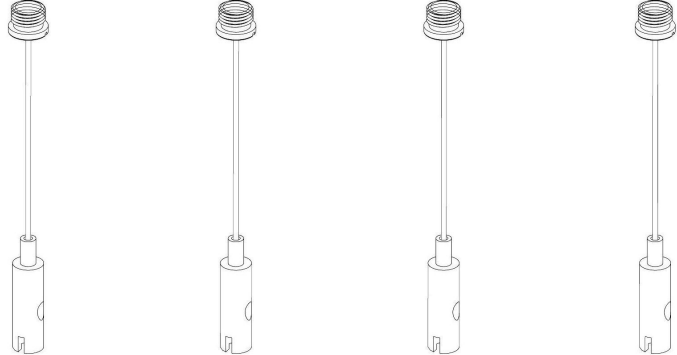
(E) Screws x 8



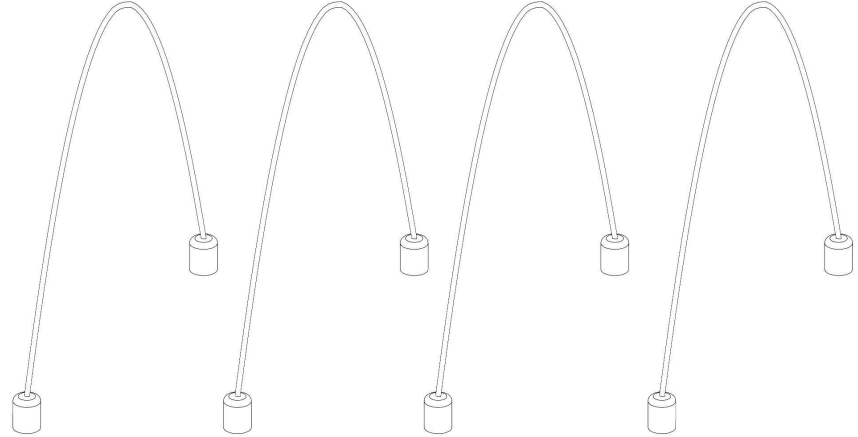
(F) Line Connectors x 4
(with grub screws)



(G) Hanging Wires x4



(H) Balance Wires x4



Installation

Step 1. Marking Ceiling Fixing Positions.

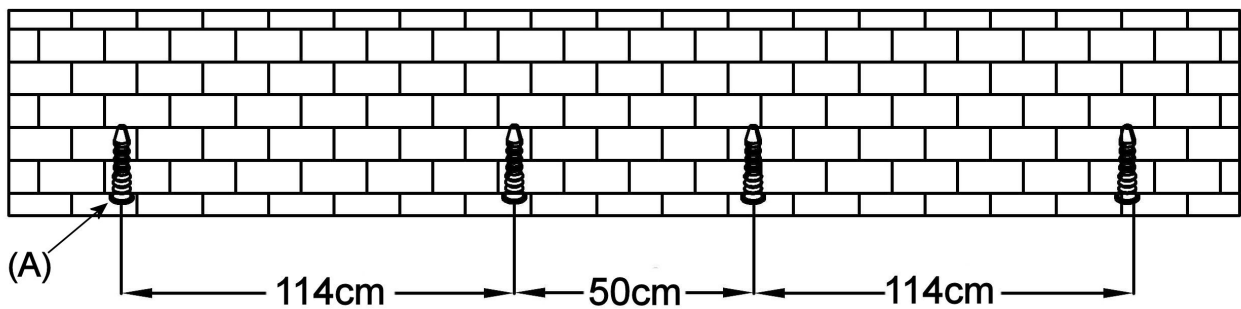
Lay a suitable protective cover over the playing surface of the table.

The luminaire needs to be hung from the ceiling, centrally within the width and length of the table playing surface. The four metal ceiling fittings (B) that hold the hanging wires (G) should ideally be fixed to the ceiling at the positions in the following diagram, centrally over the table. The cables connect to the light unit on an upturned thread (E) that can slide along the length of the unit within a groove, so if you need to use slightly different positions to achieve a secure fixing to the ceiling this may be possible.

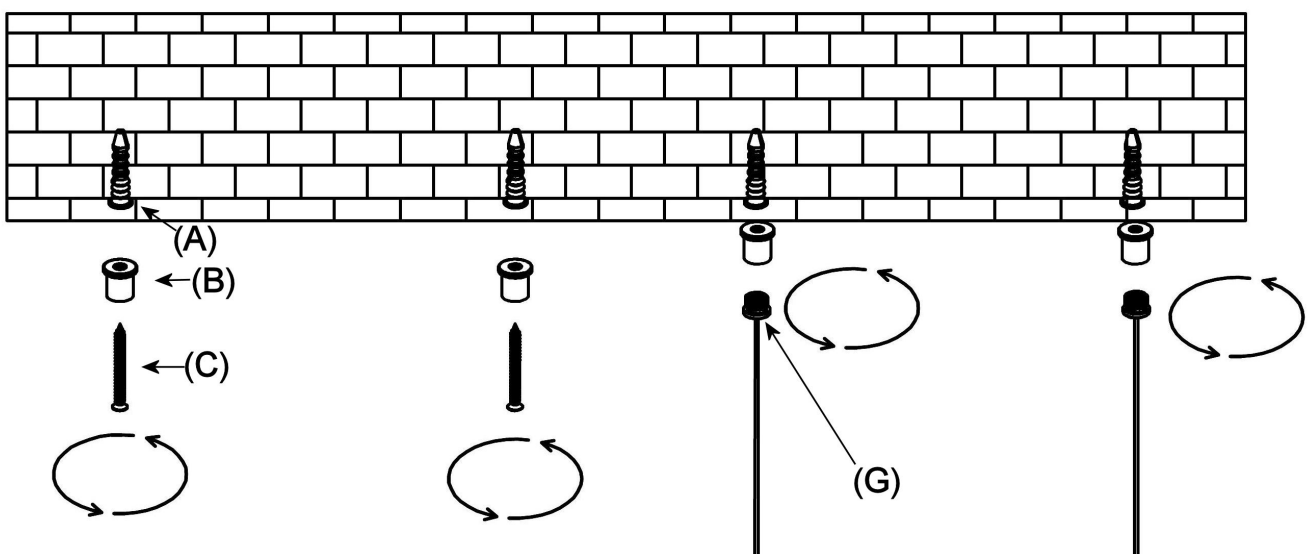
First position the two light units end to end on the bed of the snooker table centrally within the width and length of the table playing area. Familiarise yourself with later sections 3&4 and find suitable positions for the four hanging wires (G) on your particular ceiling. Suitable hanging positions must avoid existing wiring, give a secure fixing, avoid obstacles on the ceiling and must give an even distribution of the weight over all four hanging wires (G).

The measurements below may be used, but if they do not suit your ceiling the hanging positions can be varied as mentioned above.

Once you have established four suitable hanging positions within the length of the shade use a plumb line to mark the four fixing positions on the ceiling (hang the plumb line down from the ceiling down to the centre of the width of the shade at each of the four hanging positions) .



Step 2. Fitting ceiling fittings and hanging wires.



Using the fixing positions marked on your ceiling drill fixing holes taking care to avoid electrical supply cables. The unit is supplied with general purpose hardware for fitting the metal ceiling fittings (B) to a sound ceiling surface. Many situations require more specialist fittings, if you are in any doubt we recommend that you seek professional advice. The light should be fixed to a ceiling, joist or batten suitable to support the weight of the light fitting.

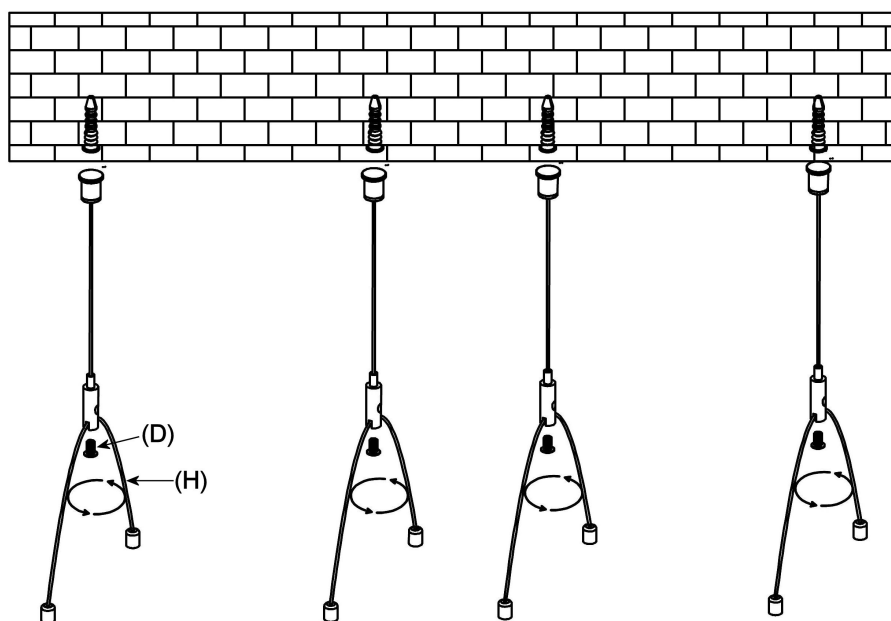
Secure the four metal ceiling fittings (B) to the ceiling. If screws (C) and raw plugs (A) supplied are suitable for your particular ceiling these may be used.

Fasten the four hanging wires (G) to the four metal ceiling fittings(B) which have an internal thread to accept the ends of the hanging wires.

The length of the hanging wires (G) can be adjusted by depressing the top section of the connector at the bottom end of the wire. While depressing the top section allow the excess cable to move through the side of the connector. Lower the four connectors on the hanging wires (G) to an even height slightly above the light unit lying on the the bed of the table, leaving any excess cable protruding from the side of the connector (the hanging height will be adjusted later). You should now have four hanging wires securely attached to your ceiling.

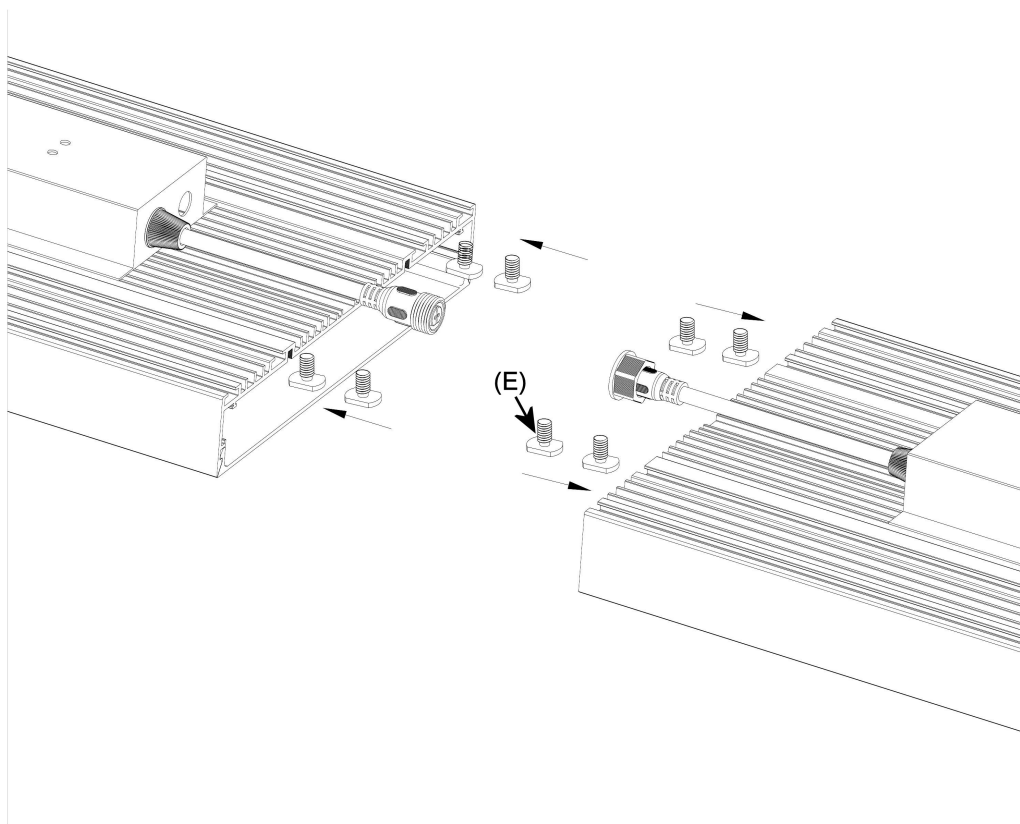
Step 3. Attaching the Balance Wires.

The end of each hanging wire has a slot in, the balance wires (H) should be passed through these slots and secured in the middle of the wires, so equal lengths are hanging down using screws (D). You should now have eight attachments hanging down ready to be attached to the light unit.



Step 4. Inserting Screws in Channels.

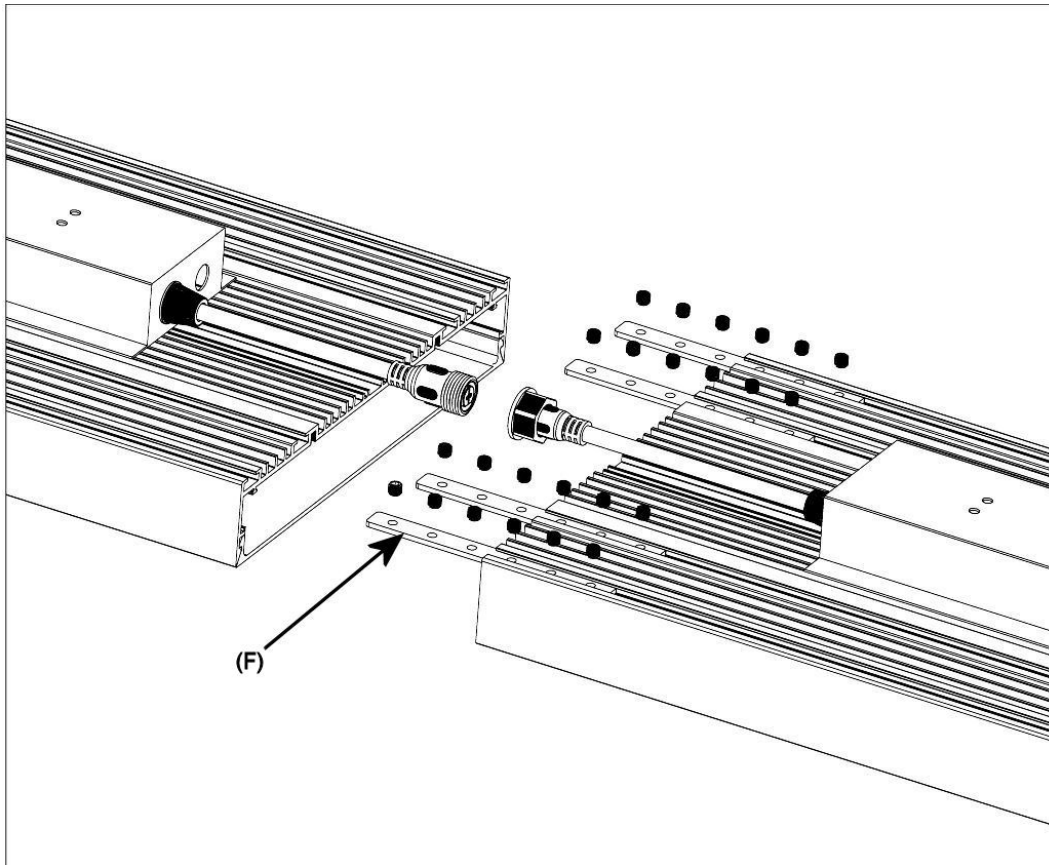
Slide two screws (E) down both channels on top of both light units to the positions required, with the threads facing upwards. These four pairs of upward facing threads(E) can now be screwed onto the base of the four balance wires (H) to securely attach them together.



Step 5. Hanging the units.

The complete light unit is too long to be raised in one length, so the two sections should be raised individually to the same height and connected whilst hanging (Step 6). Use helpers to support the weight of each unit as you raise them by shortening the length of the hanging wire. This is done by depressing the top section of the connector at the bottom end of the hanging wire and pulling the excess wire through the side of the connector. Shorten each hanging wire by a small amount at a time alternatively so the units rise up evenly. Do this until both units are perfectly in line at a height of approximately **115cm** above the table bed. **Do not cut off any excess hanging cable** at this stage.

Step 6. Joining the units.



Connecting the two units. Slide the four line connectors (F) into the channels on top of one of the units so half of the line connector is protruding from the unit. Use an allen key to secure these using the small grub screws provided, without putting any downward pressure on the light unit. Connect the second unit to the first by sliding the connectors protruding from the first unit into the opposing channels on the second unit. Again secure using the small grub screws provided.

With the units joined and securely hanging from the ceiling at the correct height plug the two units together using the electrical connector on top of the units.

Step 7. Making the electrical connection.

The electrical cable to connect feeds from one of the two drivers on top of the units. Ensure that this electric cable is longer than the hanging cables to prevent any strain being placed on the electric cable.

Make electrical connections:

- Switched Live to Brown or Labelled "L"
- Earth (Green/Yellow)
- Neutral (Blue)

Turn on the power and test.

Step 8. Checking the hanging height.

With the light now turned on check that the hanging height suits your table and illuminates the whole playing area. If it is necessary to adjust the height disconnect the power and wiring between the units before making adjustments to the length of the hanging cables. Only when you are satisfied with the hanging heights should you cut off the excess hanging cable.